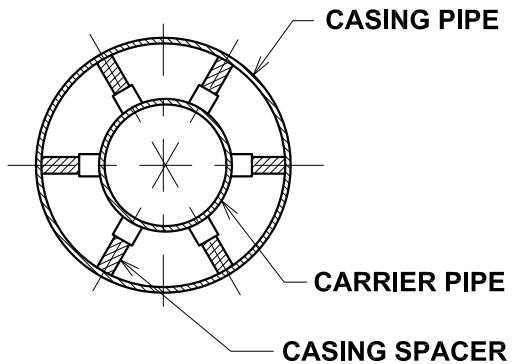


CARRIER PIPE	CASING PIPE
8"	16"
12"	20"



GENERAL NOTES:

1. CASING PIPE SHALL BE SEAMLESS STEEL WELDED PIPE, BITUMINOUS COATED, MINIMUM $\frac{3}{8}$ " THICKNESS UNLESS OTHERWISE APPROVED BY ENGINEER AND NOTED ON THE PLANS
2. CASING SPACERS SHALL BE STAINLESS STEEL BY CASCADE OR APPROVED EQUAL AND SHALL BE CENTER RESTRAINED POSITION TYPE
3. CASING SPACERS SHALL BE INSTALLED AT A MINIMUM OF THREE (3) SPACERS PER LENGTH OF CARRIER PIPE AND SHALL BE EQUALLY SPACED
4. SPACE BETWEEN CASING PIPE AND CARRIER PIPE SHALL BE BLOWN FULL OF SAND OR PEA GRAVEL AFTER INSTLLATION OF CARRIER PIPE
5. BOTH ENDS OF CASING PIPE SHALL BE SEALED WITH A MINIMUM OF SIX INCHES (6") OF SOLID CONCRETE BLOCK AND NON-SHRINK OR HYDRAULIC GROUT
6. MAINTAIN 2" MINIMUM SPACING BETWEEN BELL OF CARRIER PIPE AND INSIDE WALL OF CASING PIPE

NOT TO SCALE

REV:	DATE:
REV:	DATE:
DRAWN BY: VV	DATE: 05/26/2009

CASING PIPE

VILLAGE OF VILLA PARK
WATER - 24