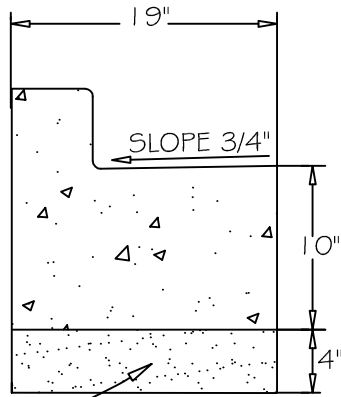
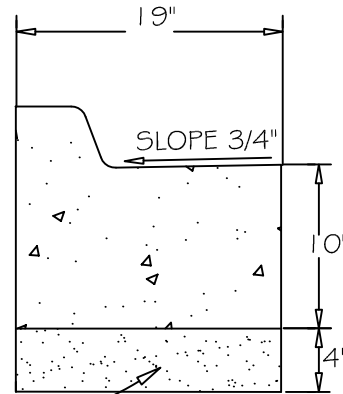


B-6.12



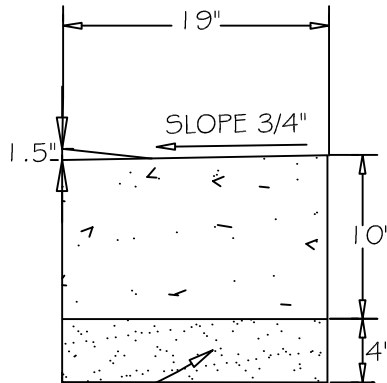
4" MIN. BEDDING (CA-6 GRADATION)

M-4.12



4" MIN. BEDDING (CA-6 GRADATION)

DEPRESSED



4" MIN. BEDDING (CA-6 GRADATION)

GENERAL NOTES:

1. CONTRACTION JOINTS SHALL BE PLACED BETWEEN EXPANSION JOINTS AT 15' INTERVALS.
2. EXPANSION JOINTS ARE TO BE PLACED AT 60' INTERVALS. 2-#6 X 18" REBARSTO BE PLACED AT ALL EXPANSION JOINTS.

NOT TO SCALE

REV:	DATE:
REV: RMS	DATE: JUL 2004
DRAWN BY: VV	DATE: JAN 2003

COMBINATION CONCRETE  
CURB AND GUTTER

VILLAGE OF VILLA PARK  
ROAD - 02