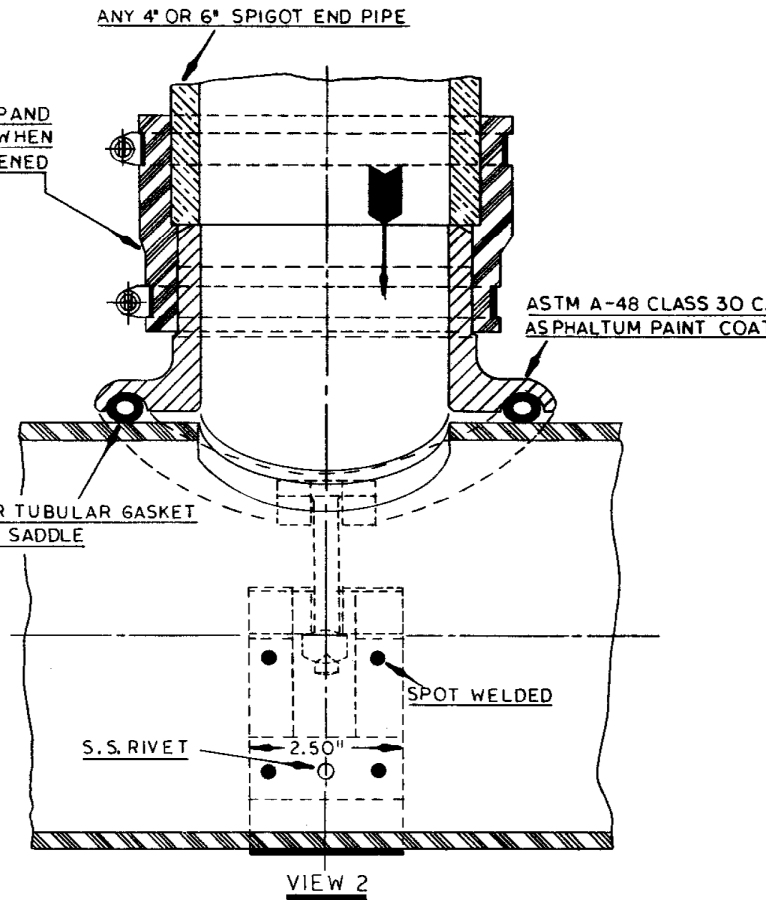


FERNCO ELASTOMERIC COUPLING WILL EXPAND OR CONTRACT BY 5% AND BE EFFECTIVE WHEN ITS C-305 STAINLESS CLAMPS ARE TIGHTENED



SIZE	4" INLET		T-BOLT STRAP
	MODEL	A B	
0	PVCS	6.275" 6.625"	4-10"
	US	6.90" 7.70"	4-14"
	US	7.70" 8.625"	4-16.5"
	US	9.00" 11.00"	7-18.5"
2	US	11.00" 13.20"	7-24"
	US	13.20" 14.80"	7-33.5"
2	US	14.80" 16.13"	7-36"
	US	16.13" 18.50"	7-43"
2	US	18.50" 20.50"	7-47"
	US	20.50" 22.50"	7-52.5"
2	US	22.50" 25.00"	7-60.5"
	US	25.00" 27.50"	7-68.5"
2	US	27.50" 30.00"	7-76"

SADDLE SIZE	6" INLET		T-BOLT STRAP
	MODEL	A B	
6 x 8	PVCS	8.375" 8.625"	4-14"
	US	9.00" 11.00"	7-16"
6 x 10	US	11.00" 13.20"	7-22.5"
	US	13.20" 14.80"	7-30"
6 x 12	US	14.80" 16.13"	7-32"
	US	16.13" 18.50"	7-39"
6 x 12	US	18.50" 20.50"	7-44"
	6 LG	US	20.50" 23.00"
6 LG	US	23.00" 25.50"	7-61.5"
6 LG	US	25.50" 27.75"	7-69"
6 LG	US	27.75" 30.00"	7-76"

FERNCO COUPLING SELECTION TABLE

LATERAL TYPE	4" LATERAL COUPLING NO.	6" LATERAL COUPLING NO.
ABS - SDR-23.5	1056-44	1056-66
A-C - FIELD CUT	1051-44	1051-66
CAST IRON-SV, NO-HUB OR XH	1056-44	1056-66
CLAY	1002-44	1002-66
CONCRETE	1006-44	1006-66
SCH. 40 - PLASTIC OR METAL	1056-44	1056-66
PVC - D3034, SDR-35	1056-44	1056-66
DUCTILE IRON	1051-44	1051-66

SEALTITE TYPE "S" SEWER PIPE SADDLE

NOTE - THIS DWG SUPERSEDES R-3412-D2 & R-3421-D2

GEN
THE GENERAL
PREC
SCALE
DATE 7-12-88
DRAWN
TRACED
CHECKED